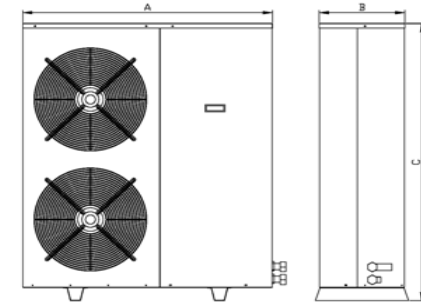
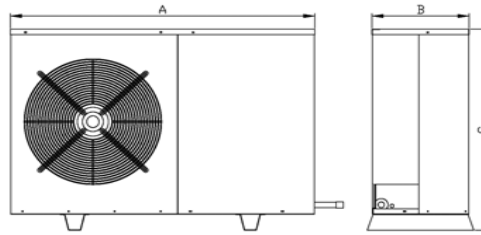




**SLIMLINE HOUSED SCROLL**



Model	Refrigerant	Capacity - Watts at 32 deg C Ambient											
		-40	-35	-30	-25	-20	-15	-10	-5	0	5	10	15
SM19Z	R404A				2260	2730	3240	3800	4390	5020	5690	6380	
SM21Z				2420	2990	3830	4330	5110	5950	6860	7830		
SL09Z		1570	1940	2350	2800	3300	3840	4410					
SM26Z					3380	4090	4870	5710	6630	7600	8830		
SL11Z		2000	2480	3030	3640	4310	5060	5880					
SL13Z		2390	2940	3580	4240	4990	5810	6680					
SM30Z					3760	4530	5360	6260	7220	8240	9300		
SL15Z		2720	3390	4120	4900	5730	6620	7570					
SM38Z**					4620	5550	6560	7630	8770	9970	11210		
SL18Z**		3380	4200	5130	6150	7280	8500	9830					
SM45Z**					5660	6830	8100	9470	10940	12500	14140		

Plastisol Leather Finish  
Zintec Steel Housing  
Galvatite Base Plate

**Fitted with :-**  
Copeland Scroll Compressor  
Isolator  
Drier and Sight Glass  
Crankcase Heater  
HP / LP Switch  
Fan Speed Control on Single Fan Models  
HP Switch on Twin Fan Models  
Oil Separator

\*\*Twin Fan Model

Model	Stock Code	Refrigerant	Nominal HP	Disp cc / rev	Dimensions (mm)			Weight Kg	Sound * db(A)	Connections		Electrical	
					A	B	C			Suction	Liquid	MRA	LRA
<b>Low Back Pressure 220/240V 1 Phase 50Hz</b>													
SL09Z	KCU052	R404A	3	8	1058	338	764	69.6	46	7/8"	1/2"	7.53	41.03
SL11Z	KCU053	R404A	3.5	9.9	1058	338	764	77.6	49	7/8"	1/2"	8.83	47.03
SL13Z	KCU054	R404A	4	11.8	1058	338	764	87.6	49	7/8"	1/2"	9.43	53.03
SL15Z	KCU056	R404A	5	14.5	1058	338	764	93.6	49	7/8"	1/2"	11.73	65.03
SL18Z**	KCU058	R404A	6	17.2	1100	423	1262	125	50	7/8"	1/2" FL	15.86	76.06
<b>Medium / High Back Pressure 220/240V 1 Phase 50Hz</b>													
SM19Z	KCU070	R404A	2.5	6.8	1058	338	764	71.6	46	7/8"	1/2"	13.83	62.03
SM21Z	KCU071	R404A	3	8.6	1058	338	764	71.6	48	7/8"	1/2"	17.43	83.03
SM26Z	KCU072	R404A	3.5	9.9	1058	338	764	72.6	48	7/8"	1/2"	19.83	98.03
<b>Medium / High Back Pressure 380/420V 3 Phase 50Hz</b>													
SM19Z	KCU073	R404A	2.5	6.8	1058	338	764	72.6	46	7/8"	1/2"	7.53	33.03
SM21Z	KCU074	R404A	3	8.6	1058	338	764	71.6	48	7/8"	1/2"	7.13	41.03
SM26Z	KCU075	R404A	3.5	9.9	1058	338	764	72.6	48	7/8"	1/2"	7.93	47.03
SM30Z	KCU076	R404A	4	11.8	1058	338	764	84.6	48	7/8"	1/2"	9.33	50.03
SM38Z**	KCU077	R404A	5	14.5	1100	423	1262	112	48	7/8"	1/2" FL	12.26	68.06
SM45Z**	KCU078	R404A	6	17.2	1100	423	1262	128	48	7/8"	1/2" FL	13.36	76.06

\*\*Twin Fan Model

\* Noise levels measured at 10m Free Field

