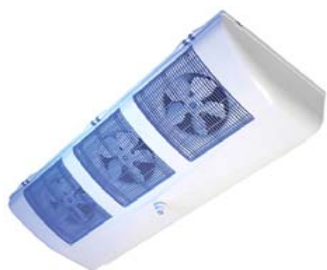




MINI FREEZE MR / MRE

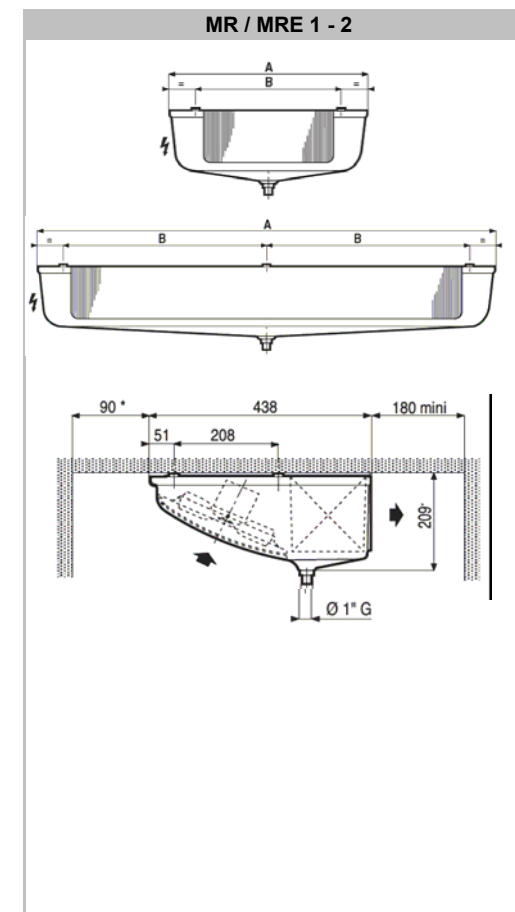


FIN SPACING 4.23mm with coated fins High Temp 10C to 2C										
Model	Stock Code	Capacity Kw		Fan Detail					Dimensions	
		R404A	Area m2	Air Flow	Air Throw	No	Watts	Amps	W x D x H	
		8 deg KTD			m3/h	metres	Total	Total		
MR75	FRI010	0.68	3.35	290	3	1	38	0.24	514 x 438 x 209	
MR110	FRI011	1.07	3.66	650	3.7	2	76	0.48	399 x 429 x 150	
MR135	FRI012	1.27	6.10	580	3.5	2	76	0.48	599 x 429 x 150	
MR210	FRI013	2.06	10.05	870	4	3	114	0.72	599 x 429 x 150	
MR270	FRI014	2.62	13.40	1160	4.5	4	152	0.96	599 x 429 x 150	

FIN SPACING 4.23mm with electric defrost** Low Temp 0C to -21C												
Model	Stock Code	Capacity Kw		Fan Detail					Defrost			Dimensions
		R404A	Area m2	Air Flow	Air Throw	No	Watts	Amps	No	Watts	Amps	
		8 deg KTD			m3/h	metres	Total	Total	Total	Total	W x D x H	
MFE1	FRI005	0.27	1.22	270	3.5	1	38	0.33	1	140	0.64	399 x 429 x 150
MFE2	FRI006	0.32	1.71	250	3	1	38	0.33	1	160	0.73	399 x 429 x 150
MFE3	FRI007	0.58	2.07	460	6	2	76	0.66	2	330	1.50	599 x 429 x 150
MFE4	FRI008	0.64	3.02	430	5.5	2	76	0.66	2	330	1.50	599 x 429 x 150

** without coated fins

Condition	Ambient Temp deg C	Evaporating Temp deg C	TD 1
SC1	+10	0	10 K
SC2	0	-8	8 K
SC3	-18	-25	7 K
SC4	-25	-31	6 K



ABS white casing. MF fins with polyester finish
 Rounded corners, no water retaining areas, easy cleaning, reduces the problem of external dripping.
 Cleaning and maintenance is made easy by removal of external casing.
 Quiet 4 pole motors fitted with polypropylene blade.
 Wall mounted option available for the MF1 - 2 models with EMA kit. NOT for use with MFE1 - 2.